



Desk Dough® Machine
Manual V01

Table of Contents

IMPORTANT INFORMATION	5
IDENTIFYING THE PRODUCT AND OTHER INFORMATION.....	5
ABBREVIATIONS AND NAMING USED IN THIS MANUAL	5
GENERAL INFORMATION ABOUT THIS INSTRUCTION MANUAL.....	5
SAFETY INFORMATION	6
INSTALLATION ON SITE.....	7
INITIAL INSTALLATION.....	9
OPERATION, MAINTENANCE, MODIFICATIONS, CLEANING AND DISASSEMBLY	10
INSTRUCTIONS FOR DISPOSAL.....	12
SPECIFICATIONS	13
AMBIENT TEMPERATURE.....	13
RELATIVE HUMIDITY	13
AIRFLOW CONSIDERATIONS	13
SCOPE OF DELIVERY	13
WARRANTY.....	13
ENVIRONMENTAL SPECIFICATIONS – OPERATING.....	13
ENVIRONMENTAL SPECIFICATIONS – STORAGE	14
POWER SUPPLY & HEAT DISSIPATION	14
PHYSICAL.....	14
DIMENSIONS	15
VIEWS	16
FRONT VIEW.....	16
DESCRIPTION FRONT VIEW	16
REAR VIEW.....	17
VIDEO OUTPUTS	18
GRAPHIC CARD SPECIFICATIONS	18
AUDIO INPUT	18
ANALOG LINE IN	18
MECHANICAL INSTALLATION	18
MOUNTING THE RAIL KIT ON DDM	19
STARTING UP THE DESK DOUGH® MACHINE	22
SOFTWARE	23
DDM OPERATING SYSTEM	23
STANDARD USER NAMES AND PASSWORDS.....	23
RESTART APPLICATION	24
WEBINTERFACE	24
EDID MANAGEMENT	28
GENLOCK AND FRAMELOCK SETUP.....	30
MOSAIC SETUP.....	31
CLI PROGRAMS TO CHANGE SCREEN RESOLUTION, SETUP MOSAIC AND SET SYNC	33
BACKUP	34
MAKING UPDATES.....	34
SERVICING	35

REMOVING THE DDMS BACK PANEL FOR SERVICING PURPOSES.....	35
REPLACING THE POWER SUPPLY.....	36
REPLACING THE SSDs	37
STOPS & MOPS CONTACT	38
IMPRINT	38
DECLARATION OF CONFORMITY	39

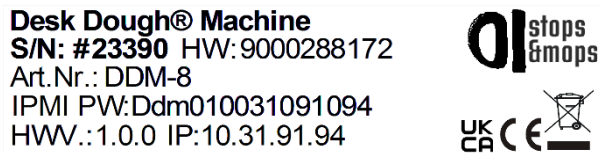
Important Information

Identifying the product and other information

This instruction manual relates to the Desk Dough® Machine systems from Stops & Mops GmbH.

The model designation and serial number are located on the serial number tag.

The serial number tag is located on the sides in the recess on the back.



Abbreviations and naming used in this manual

Abbreviations:

DDM is used in this manual for Desk Dough® Machine.

The term "equipment" and "device" are used in this manual for Desk Dough® Machine.

General information about this instruction manual

With this instruction manual, users of Stops & Mops GmbH Desk Dough® Machines are provided the necessary information for the safe use of their systems.

The safety instructions resulting from the legally prescribed risk analysis and assessment are an essential part of these instructions.

- **IMPORTANT!** Please read these instructions carefully before using your system! Store this instruction manual in a safe place for later reference.
- **IMPORTANT!** Due to the high number of possible configurations, it is not possible to provide specific instructions for all the individual components in this manual.

For specific questions and further support, please contact us at:

Stops & Mops GmbH, Tel: +43 (720) 578777, beams@stopsmops.com

Subject to change without notice. All information is provided without guarantee and liability.

Safety information

The safety information in this instruction manual can be broken down into the following categories:

- **WARNING** is used for hazards that could result in death or serious injuries
- **CAUTION** is used for hazards that could result in minor injuries.
- **IMPORTANT** is used for all other cases where the potential for material damage exists or specific actions are recommended.

Target group/qualifications

The use of Desk Dough[®] Machines requires specialist AV and IT knowledge. For this reason, the use of Desk Dough[®] Machines should be limited to qualified personnel. Desk Dough[®] Machine owners and operators must ensure this via organizational measures.

The qualified personnel responsible for installation and maintenance must also be able to prevent any remaining risks in terms of health and safety with their understanding of the existing dangers.

Warning about electrical hazards

Electrical hazards can arise across a Desk Dough[®] Machine's entire life cycle. These can arise not only from the Desk Dough[®] Machine, but the electrical installation on site as well.

- **WARNING!** Dangerous situations can arise from the careless handling of the system or faulty electrical installation.

These can result in severe injury or death!

- Extreme care should be used when working on the Desk Dough[®] Machine.
- Always consult the responsible specialists when working with dangerous voltages.

Intended use

The Desk Dough[®] Machines are meant exclusively for use in rooms with normal operating conditions (temperature, humidity, radiation) such as air-conditioned rooms, offices and other rooms with similar conditions.

Warning about foreseeable misuse

- **WARNING!** Dangerous situations can arise from using the DDM systems in unsuitable environments.

These can result in severe injury or death!

- Only use the Desk Dough[®] Machines in professional AV and IT environments!
- The use of the Desk Dough[®] Machines in special environments, such as medical facilities, potentially explosive environments or areas with unusually high EMC requirements, is not permitted!

- **WARNING!** Dangerous situations can arise from unauthorized modifications.

These can result in severe injury or death!

- Do not attempt to modify the existing protections!

Installation on site

Checking for transport damages

Check the packaging and the Desk Dough[®] Machine for possible damage that could have arisen during transport. If you find damage, please report it immediately to your vendor or Stops & Mops GmbH.

- **IMPORTANT!** Add-on cards can sometimes become partially detached from their slots during transport. In this case please report it immediately to your vendor or Stops & Mops GmbH.

Danger from condensation

- **WARNING!** A difference in temperature of 15°C between the room's temperature and DDMs can result in the formation of condensation. This can lead to short circuits and other damage. These can lead to the risk of electrocution. Electrocution can result in severe injury or death!
 - Please ensure that the DDM system is not subject to quick changes in temperature!
 - Give the system time to acclimate to its environment.
 - Do not operate the DDM system if condensation has formed!

Danger from incorrect posture and overexertion

- **WARNING!** Due to the weight and dimensions of the DDM system, physical danger can arise during set up and installation.
 - Avoid incorrect posture and overexertion (e.g. from lifting heavy objects)!

Danger from tipping

- **WARNING!** The DDM system can tip over from improper transport or installation. This is particularly true for rack systems that have a high center of gravity due to their construction. This can result in severe injury or death!
 - Transport the system with the necessary care!
 - Ensure secure installation on a flat and level surface.
 - Rack systems must be anchored to a suitable firm surface!
 - When installing devices into the rack, start at the lowest slot and work upwards. Install the heaviest devices at the bottom of the rack!
 - Only remove one device at a time from a rack!

Installation on site

Stops & Mops GmbH recommends installing the DDM in an air-conditioned room. Select a site that is:

- Clean, dry and free of particles in the air (except for normal dust).
- Not near sources that cause vibrations or shaking.
- Protected from strong electro-magnetic fields that arise from electrical devices.
- Provides access to a properly grounded wall socket.
- Able to be equipped with surge protection, particularly in areas subject to thunderstorms.
- Provides sufficient space for access to the power cables, as these are the primary way to disconnect the DDM from the power supply.
- Provides sufficient space to ensure air circulation (for cooling).

Danger from noise

- **WARNING!** Some DDM systems emit noise. Generally, this noise is produced by the system fans. In certain situations, this can lead to hearing damage. Communication near such Systems can also be impaired.
 - Use care when selecting an installation site for such DDMs!
 - There must be no permanent impairment!

Initial installation

Notes for rack system installations

Install a line disconnecter for the entire rack system.

This line disconnecter must be easily accessible and have a label that states that it controls the power supply to the entire unit and not just the DDMs.

Danger from improper voltage supply

- **WARNING!** Dangerous situations can arise from improper voltages. These can lead to the risk of electrocution.
Electrocution can result in severe injury or death!
 - Only operate the DDM system using the voltage specified in this manual!

The DDM system can be operated in combination with an uninterruptible power supply (UPS). In this case, please follow the instruction manual for the UPS system!

Danger from improper grounding

- **WARNING!** Dangerous situations can arise from improper grounding. These can lead to the risk of electrocution.
Electrocution can result in severe injury or death!
 - Please ensure that the DDM system and/or the rack itself and all incorporated devices are properly grounded!
 - For such work, always consult the responsible specialists.

Proper grounding is also very important for protection against EMC interference.

Danger from fire

- **WARNING!** Dangerous situations can arise from improper electrical installations. These can lead to the risk of fire.
Fires can result in severe injury or death!
 - Please ensure that electrical installations are properly performed!
 - Always consult the responsible specialists for such work.

Operation, maintenance, modifications, cleaning and disassembly

Electrical hazards

Incidents arising from electrical hazards can occur during operation, maintenance, when making modifications, cleaning or disassembling the DDM.

Turn off all connected peripheral devices before opening the Desk Dough[®] Machine.

NOTE: Opening the Desk Dough[®] Machine will void its warranty!

- **WARNING!** Dangerous situations can arise if the DDM system is not turned off before opening the system. These can result in severe injury or death!
 - Ensure that the Desk Dough[®] Machine is disconnected from the power source before opening the Desk Dough[®] Machine!
 - Turn off the Desk Dough[®] Machine via the power switch and unplug all power cables from the outlet!
 - Ensure that the Desk Dough[®] Machine will not be plugged in unexpectedly by another person or that the system will unexpectedly restart after an interruption in the power supply.

Additional comments on the subject:

- The power button will NOT disconnect the system from the source of power. The DDM system must be completely disconnected from the source of power.
- To do this, all power cables must be removed from the electrical outlet.
- A system may be equipped with multiple power cables. In such cases, ensure that all power cables have been unplugged.
- Do not make any modifications to the power cable and do not use any cables except those with the correct specifications. Each power supply in the system must be connected to the power source via its own cable.
- Power supplies do not have any parts that can be serviced by the user.
- Never open a power supply. Power supplies contain dangerous voltages, currents and energy sources. Send the device back for any necessary maintenance work.
- The DDM system can unexpectedly restart after an interruption in the supply of power.

One exception is components that can explicitly be plugged in (hot-plug) or swapped (hot-swap) during operation. Please note the following safety instructions for hot-plug power supplies.

Electrical hazards related to hot-plug power supplies

Electrical accidents can occur when exchanging hot-plug power supplies.

- **WARNING!** Dangerous situations can arise from the careless handling of hot-plug power supplies. These can result in severe injury or death!
 - Unplug all power cables of a hot-plug power supply before swapping it out!

Avoiding data loss

- **IMPORTANT!** Remember to back-up your data before performing any maintenance or any other similar work inside your Desk Dough[®] Machine. Check to ensure that your data restoration system works properly.

Disassembly and assembly of the housing

Should you need to remove the Desk Dough[®] Machine's housing for maintenance work or any similar work inside the system, make sure to store all screws and fastenings in a safe place.

NOTE: Opening the Desk Dough[®] Machine will void ins warranty!

Once you have completed your work on the Desk Dough[®] Machine, reassemble the housing using the original screws and fasteners.

- **IMPORTANT!** Operating the system without its case can lead to damage for the system components. Reattach the case as follows:
First, ensure that you have not left any tools or other parts in the system!
- Check whether all cables, add-on cards and other components are correctly configured and attached.
- Re-mount the panels onto the product's frame!

Danger from sharp corners and edges

- **CAUTION!** Despite careful selection of the components, sharp corners and edges can occur on the sheet metal housing. Plastic parts can also break during assembly or disassembly and leave sharp corners and edges.
Injuries can be the result.
- Work with care and avoid sharp corners and edges.
- Wear protective gloves especially when working on the housing and when installing rack systems!

Danger of pinching

- **CAUTION!** Moving parts, such as hard drive bays and caps, can pinch fingers. Injuries can result!
 - Work carefully and pay attention to places where pinches can occur.
 - Wear protective gloves when working on DDM housing!

Danger from hot components

- **WARNING!** During operation, the processor and heat sink can get very hot. Burns can result.
 - Do not open the system until it has cooled completely!
 - Be careful when removing or installing hot-plug components to avoid contact with hot elements!

Danger from moving parts

- **WARNING!** DDM systems contain moving parts, such as rotating fan blades.
Contact with such components can cause injury.
 - Never touch rotating fan blades or other moving parts!
 - Always operate the DDM system with the fan cover closed (if present)!
 - Long hair can be caught in the fan. If necessary, use a hair net.

Danger from batteries

- **WARNING!** A danger of explosion and corrosion can arise from improper battery replacements. Hazardous substances can be leaked.
Improper use can result in serious injury.
 - Only use the battery types recommended by the manufacturer!
 - Never try to charge or open a battery!

Preventing damage caused by a lack of ESD measures

- **IMPORTANT!** Electrostatic discharge can damage hard drives, circuit boards and other components. Perform all work at an ESD workstation!
 - If such a work space is not available, you can achieve a degree of protection against electrostatic discharge by wearing an anti-static wristband. You can use these to keep you grounded by attaching the clip to any unpainted metal part of your computer case.
 - Always handle circuit boards with utmost caution. They are extremely sensitive to electrostatic discharge. Hold circuit boards by the edges.
 - After removing the circuit board from its protective case or the DDM, place it right side up on a grounded, fully-discharged surface. We recommend the use of a conductive foam pad and not the board's protective case.
 - Never drag the board across a surface.
 - Use gloves when working with sensitive components.

Preventing damage due to improper cooling and a lack of air flow

- **IMPORTANT!** Make sure that the ventilation slots are not covered.

Route all cables carefully to avoid disturbances in the air flow and avoid cooling problems. To ensure proper cooling and air flow, only operate the system with its case fully assembled.

Preventing damage caused by unsuitable cleaning agents

- **IMPORTANT!** Only use suitable cleaning agents. A microfiber cloth is suitable for external cleaning.

Compressed air may be used to clean the inside of the DDM system. Please ensure that the air is applied gently and from a sufficient distance, as the components can otherwise be damaged. Vacuum cleaners are not suitable for cleaning the inside of the Desk Dough[®] Machine.

Instructions for disposal

The Desk Dough[®] Machine and batteries must be properly disposed of as electrical waste at the end of their use. The disposal of electrical and electronic equipment is regulated by law. Please observe all local regulations. Disposal via household waste or ordinary industrial waste is not permitted.



Many of the materials are reusable. By following this notice, you make an important contribution to protecting the environment.

Specifications

To ensure proper operation, make sure that the following operating conditions are met for the DDM.

- **IMPORTANT!** When you receive your DDM, place it in the environment where you will install it. Leave the DDM in its shipping crate at its final destination for 12 hours and do not connect it to the power supply! This resting period prevents thermal shock and condensation.

Ambient temperature

An ambient temperature range of 21°C to 23°C is optimal for DDM reliability. This temperature range allows the recommended relative humidity level to be maintained quite easily. The maximum admissible temperature range is between 10°C and 30°C. Please bear in mind that high temperatures have a negative effect on the components' life cycle.

Relative humidity

Ambient relative humidity levels between 45% and 50% are the most suitable for data processing operations.

- Prevent corrosion
- Provide an operating time buffer in the event of environmental control system failure.
- Help avoid failures caused by the intermittent interference from static discharges that occur when relative humidity is too low.

The maximum admissible relative humidity range is between 20% and 80% (noncondensing).

Airflow considerations

- Ensure unobstructed airflow through the chassis.
- Ensure that air enters at the front of the DDM housing.
- Ensure that air exits at the openings designated for this purpose
- Ensure that ventilation openings, such as cabinet doors, for both the inlet and exhaust of the DDM provide a minimum open area equal to the DDM's open areas.
- Take care to prevent recirculation of exhaust air within a rack or cabinet.
- Manage cables to minimize interfering with the DDM exhaust vent.

Scope of delivery

Desk Dough[®] Machine: 19" Rail Kit, 2x Power Cable, Manual

Warranty

We offer 2 years warranty on Desk Dough[®] Machines.

An additional warranty of total 3, 4 or 5 years is available on request.

- **IMPORTANT!** Please note that opening or modifying the DDM voids its warranty.

Environmental specifications – operating

Temperature (altitude less than 1000m, no direct sunlight)	10°C to 30°C
Maximum Temperature Gradation	10°C per hour
Temperature De-Rating (altitude more than 1000m)	Reduce max. temp. by 1°C per 300m
Maximum Altitude	3000m
Relative Humidity (noncondensing)	20%RH to 80%RH
Maximum Humidity Gradation	10%RH per hour

Environmental specifications – storage

Temperature (no direct sunlight)	-30°C to 55°C
Maximum Temperature Gradation	20°C per hour
Relative Humidity (noncondensing)	5%RH to 95%RH
Maximum Humidity Gradation	10%RH per hour

Power supply & Heat dissipation

Power Supply	100–240VAC, 50–60Hz
Power Consumption Peak	800W
Power Consumption Average with High Load*)	520W
Heat Dissipation Peak	2730BTU/h
Heat Dissipation Average with High Load*)	1775BTU/h
Redundant Power Supply Hot–Plug	Yes

* Power Consumption Average with High Load = Tested with very high CPU, GPU and SSD/NVMe workload

* Heat Dissipation Average with High Load = Tested with very high CPU, GPU and SSD/NVMe workload

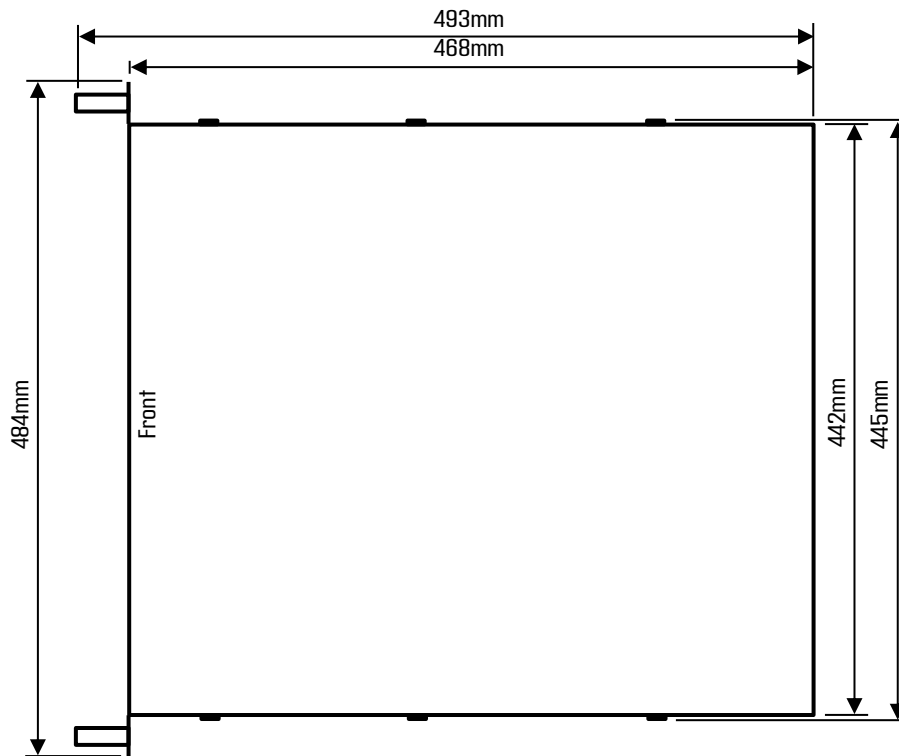
Physical

Case Dimension (WxDxH)	445 x 468 x 88,9mm
Max. Product Dimension (WxDxH)*	484 x 493 x 88,9mm
Product Weight	13,5kg
Shipping Dimension	790 x 560 x 220mm
Shipping Weight	21,5kg

Desk Dough® Machine with rails fit into a rack with a depth between 675mm and 920mm.

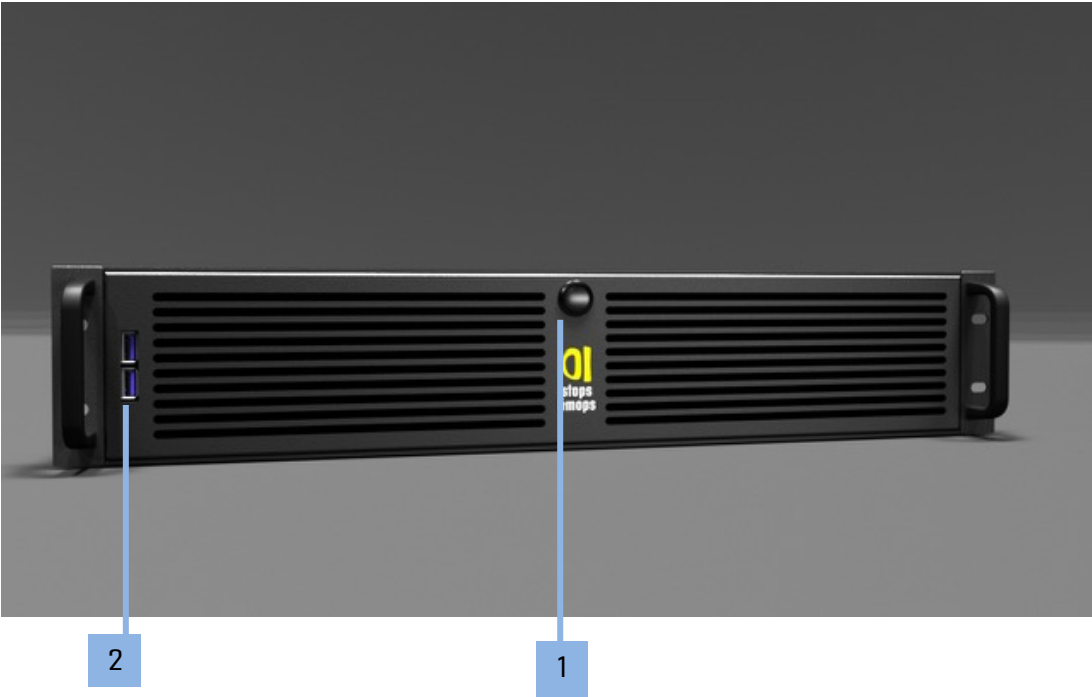
Dimensions

IMPORTANT! Please note that due to the production process there may be deviations in the dimensions. For exact dimensions please use the measures of the actual device.



Views

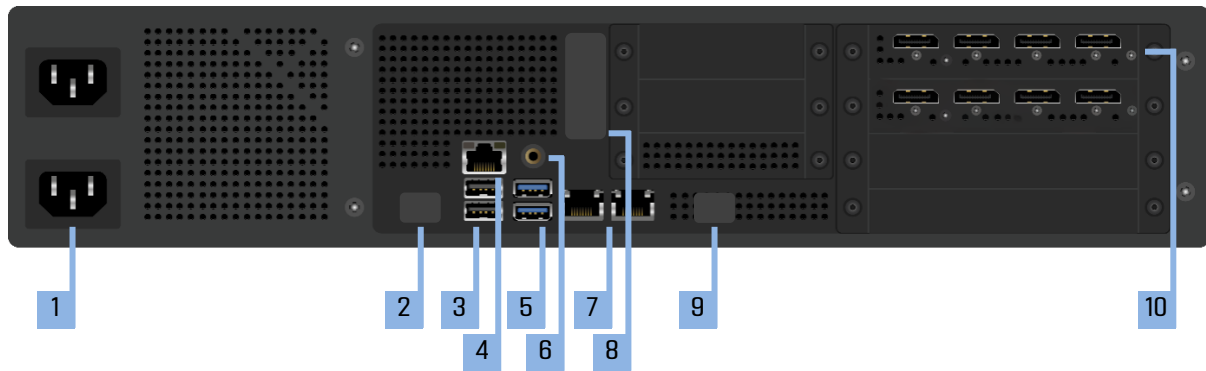
Front view



Description front view

- 1. Power button
- 2. 2x USB3.0 port

Rear view



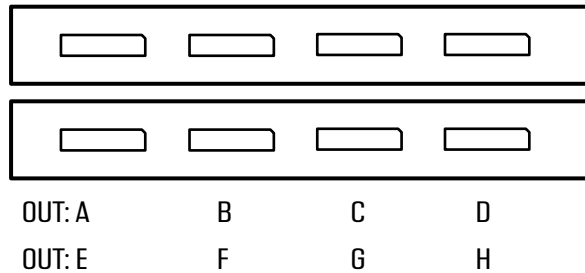
Description rear view DDM

1. Socket for mains connection: In case of DDM there are two connectors, as DDM is equipped with redundant power supplies. Both connections must be made.
2. Not used (Do not connect!)
3. 2x USB2.0
4. IPMI LAN: The IP address of the IPMI LAN port is similar to the IP address of LAN1 (see [7] below), but instead of 10.31.x.x. the address is 10.41.x.x. For example, if LAN1 has the address 10.31.2.3, the IPMI LAN port has the address 10.41.2.3.
5. 2x USB3.0
6. Stereo Audio Output
7. 2x 10Gbps LAN: 1Gbps and 10Gbps speeds are supported, 10Mbps and 100Mbps speeds are not supported!
Left port = LAN1: The fixed IP address of this LAN socket can be found on the serial number label.
Right port = LAN2: This LAN port is set to DHCP. If a unique fixed IP address is required, please use 10.32.x.y, where x and y are identical with the last two digits of the IP address of LAN1. For example, if LAN1 has the IP address 10.31.2.3, the IP address 10.32.2.3 can be used for LAN2.
Please note that these are the IP addresses of the delivery state of the media DDM. All IP addresses can of course be changed individually.
8. Rear panel illumination
9. Not used (Do not connect! For servicing purposes only!)
10. 2x Nvidia RTX A4000 Graphic Card
2x 4 Video Output DP1.4. See details under "Options" - "Video Outputs".

Video Outputs

Graphic Card Specifications

DDM: 2 x Nvidia RTX A4000



Port description

OUT A, ..., OUT H: Video Output A, ..., Video Output H

- Video output standard: DP1.4a
- Video output resolution (max.): 4096x2160 @60Hz
- EDID management: Yes

IMPORTANT! Please note that due to space reasons DisplayPort cables need to be used where the plug does not exceed a maximum thickness of approx. 14mm!

Audio Input

ANALOG LINE IN

- to be used for Sound2Light option

Mechanical installation

This section provides information on installing the media DDMs.

There are a variety of rack units on the market, which may mean that the assembly procedure will differ slightly from the instructions provided. You should also refer to the installation instructions that came with the rack unit you are using.

- **CAUTION!** Never mount the media DDM solely on the 19" mounting bracket attached to the DDM. This will break the 19" mounting bracket and damage the DDM, the rack and may cause injury.
 - Always use 19" rails (if supplied with the unit)
 - Or ensure that the media DDM rests on an appropriate base plate.
- **CAUTION!** Do not pick up the DDM with the front handles. They are designed to pull the chassis from a rack only. This may damage the DDM and may cause injury.

Precautions

- Ensure that the leveling jacks on the underside of the rack are fully extended to the floor, with the entire weight of the rack resting on them.
- For single rack mounting, stabilizers must be attached to the rack.
- For multiple racking systems, the racks must be coupled together.
- Always make sure that the rack is stable before pulling a component out of the rack.
- You may only extend one component at a time – the simultaneous extension of two or more components can cause the rack to become unstable.
- The units must be installed in a rack in such a way that no dangerous condition arises due to uneven mechanical loading.
- Install the heaviest DDM components on the bottom of the rack first, and then work your way up.
- Use an uninterruptible power supply (UPS) to protect the DDM from power surges and voltage spikes and keep your system up and running in the event of a power failure.

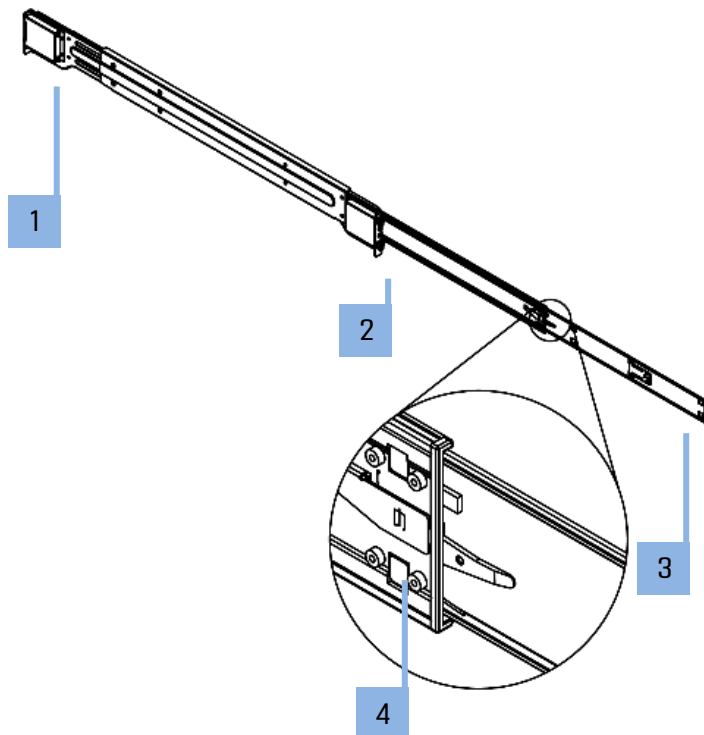
Mounting the Rail Kit on DDM

The package contains two rack rail assemblies in the rack mounting kit.

Each assembly consists of three sections: An inner chassis rail which secures directly to the chassis, an outer rail that secures to the rack, and a middle rail which extends from the outer rail. These assemblies are specifically designed for the left and right

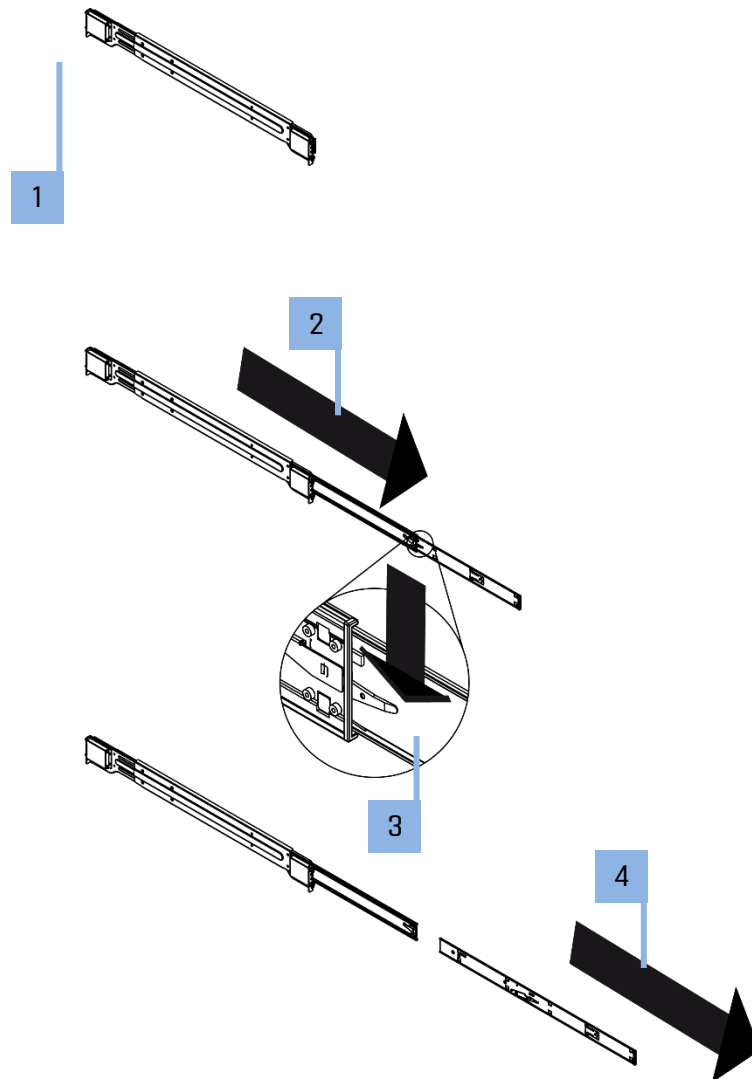
Note: These rails fit into a rack with a depth between 675mm and 920mm.

1. Outer rail
2. Middle rail
3. Inner rail
4. Locking Tab:



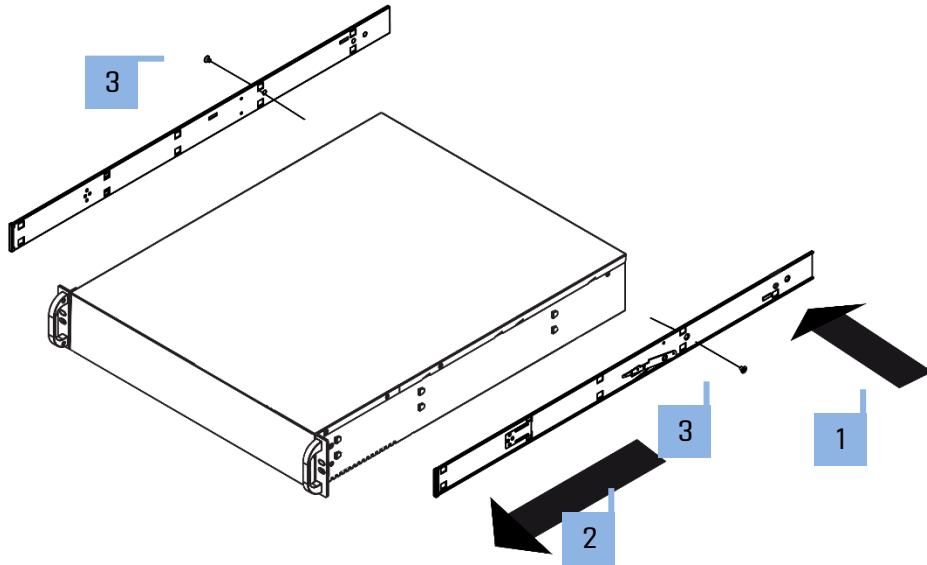
Each inner rail has a locking tab. This tab locks the chassis into place when installed and pushed fully into the rack. These tabs also lock the chassis when it is fully pulled out of the rack. This prevents the DDM from fully coming out of the rack when the chassis is pulled out.

Releasing the Inner Rack Rails



1. Identify the left and right outer rail assemblies as described previously.
2. Pull the inner rail out of the outer rail until it is fully extended as illustrated below.
3. Press the locking tab down to release the inner rail.
4. Pull the inner rail all the way out.

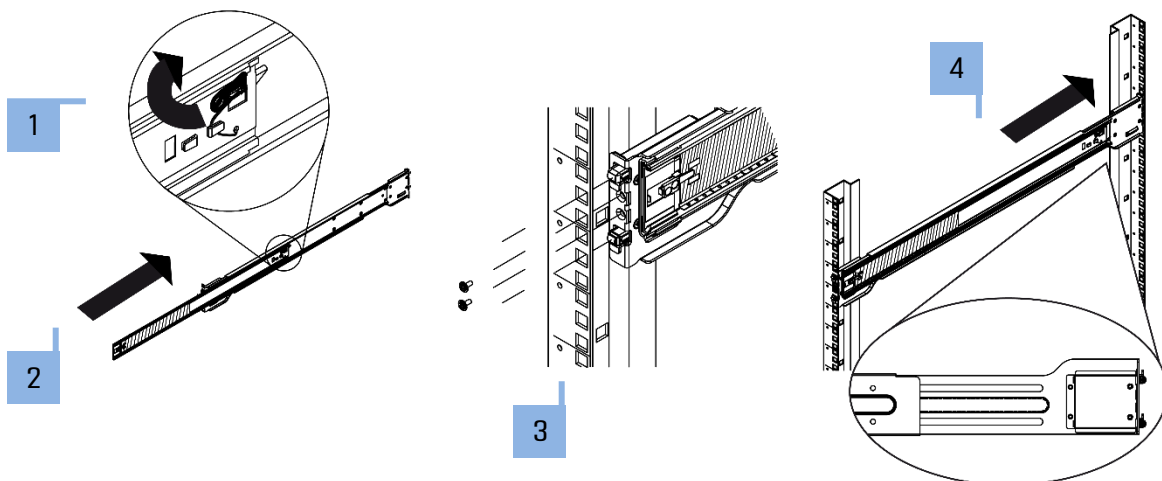
Installing the Inner Rails on the Chassis



Confirm that the left and right inner rails have been correctly identified.

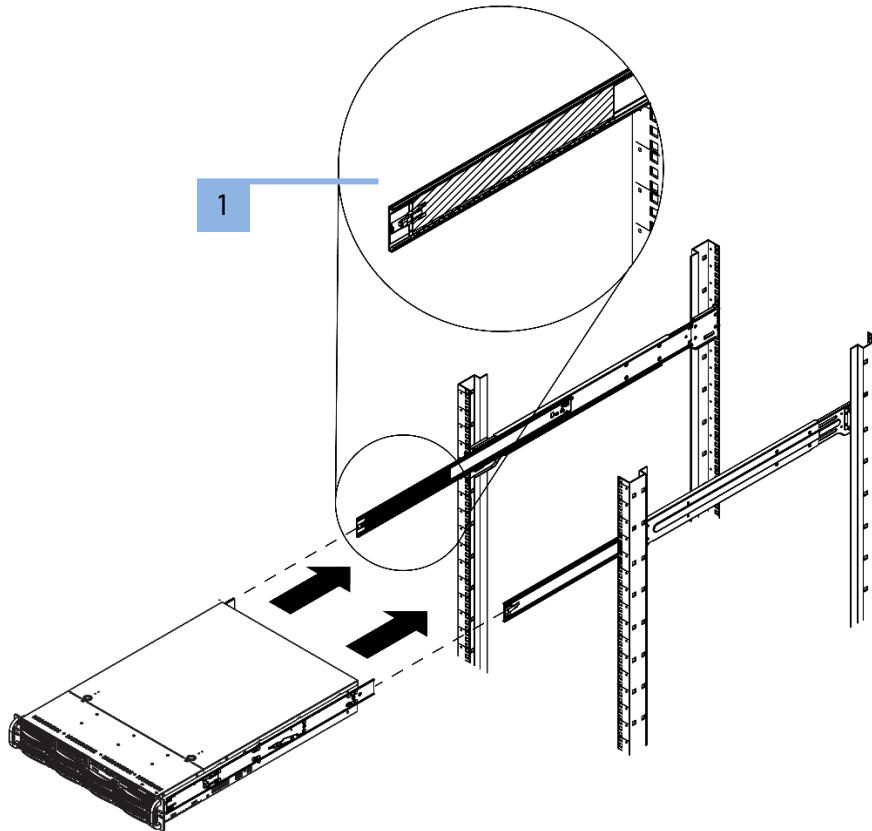
1. Place the inner rail against the side of the chassis and align the hooks on the side of the chassis with the holes in the inner rail.
2. Slide the inner rail forward to the front of the chassis until the rail snaps into the locked position that secures the inner rail to the chassis.
3. Attach the inner rail to the chassis with the screw.

Installing the Outer Rails on the Rack



1. Press the locking tab at the rear end of the middle rail upwards.
2. Push the middle rail back into the outer rail.
3. Hang the hooks on the front of the outer rail in the slots on the front of the rack. Additionally, fasten the outer rails to the rack with screws as shown above.
4. Pull out the back of the outer rail and adjust the length to the rack.
5. Hang the hooks of the rear part of the outer rail in the slots on the back of the rack. Additionally, fasten the rail to the rack with screws.

Installing the Chassis into the Rack



1. Extend the outer rails as shown above.
2. Align the inner rails of the chassis with the outer rails.
3. Slide the inner rails into the outer rails, keeping the pressure even on both sides. When the media DDM has been pushed completely into the rack, the locking tabs will "click" into the locked position.
4. Insert and tighten the screws that hold the front of the DDM to the rack.

Starting up the Desk Dough[®] Machine

Plug in all cables first!

Do not connect or disconnect any cables during operation. This can cause damage to the device.

Press the power switch to turn the device on and off. The power button does not disconnect the DDM from the mains voltage! To completely disconnect it from the mains voltage, unplug the power plug(s) from all power supply inputs.

Turn on the DDM when operating conditions are within its operating range (see specifications). If the unit is operated outside this operating environment, the DDM may be damaged.

Software

DDM Operating System

- Systems shipped after 2022-10-01:
Windows 10 IoT is used as the operating system.

The operating system has been optimized by Stops & Mops for DDM applications. To save performance and to increase stability, some components, which will be available on a standard Windows operating system, are turned off or are missing.

For the same reason the Windows Update Service is not enabled in the operating system. Bringing in Microsoft updates into the OS can cause instability and a loss in performance. The system must remain in the condition in which it was delivered!

IMPORTANT! For security reasons, the DDMs must be operated in a separate network, from which you have no access to other networks (e.g. operational company networks, etc.). Stops & Mops GmbH cannot accept any liability for damage (e.g. virus attack, loss of data, etc.) resulting from disregard of this guideline.

IMPORTANT! The DDM runs on an operating system optimized for performance and stability. Any changes to the system can have a negative effect on performance and stability. It is therefore not recommended to install any kind of software on the DDM. This also includes the installation of virus scanners, drivers, updates, etc. If an installation or any other manipulation is nevertheless carried out, it is no longer possible to guarantee a faultless function. Any changes to the system will also void the warranty. Exceptions are installations that have been approved by Stops & Mops.

Standard User Names and Passwords

Windows user account

The Windows user account used by all DDMs has been set as the administrator account.

The credentials are as follows:

- Username: StopsMops
- Password: StopsMops

IMPORTANT! Please do not create or use any account other than this one. Do not change the password of this user account. Changing the user account or password may cause some features, such as network shares, to stop working properly.

IPMI User and Password

- Username: ADMIN
- Password: (you will find the password on the serial number tag)

Restart Application

If you want to close the Desk Dough® Application you can use the shortcut: Alt + F4.

To restart the application use the link on the desktop.

Webinterface

You can use the webinterface to setup your outputs.

Connect your PC via ethernet cable to the DDMachine or the switch which is connected to the DDM.

Make sure to have a valid IP-address within the same network where the DDM is.

Open the webbrowser and type in the IP address and the port :8080 (e.g. "10.31.21.101:8080").

1 Network

- this tab is only for switching between ArtNet/sACN Input
- to change the IP please use the Windows Settings/Network Connections

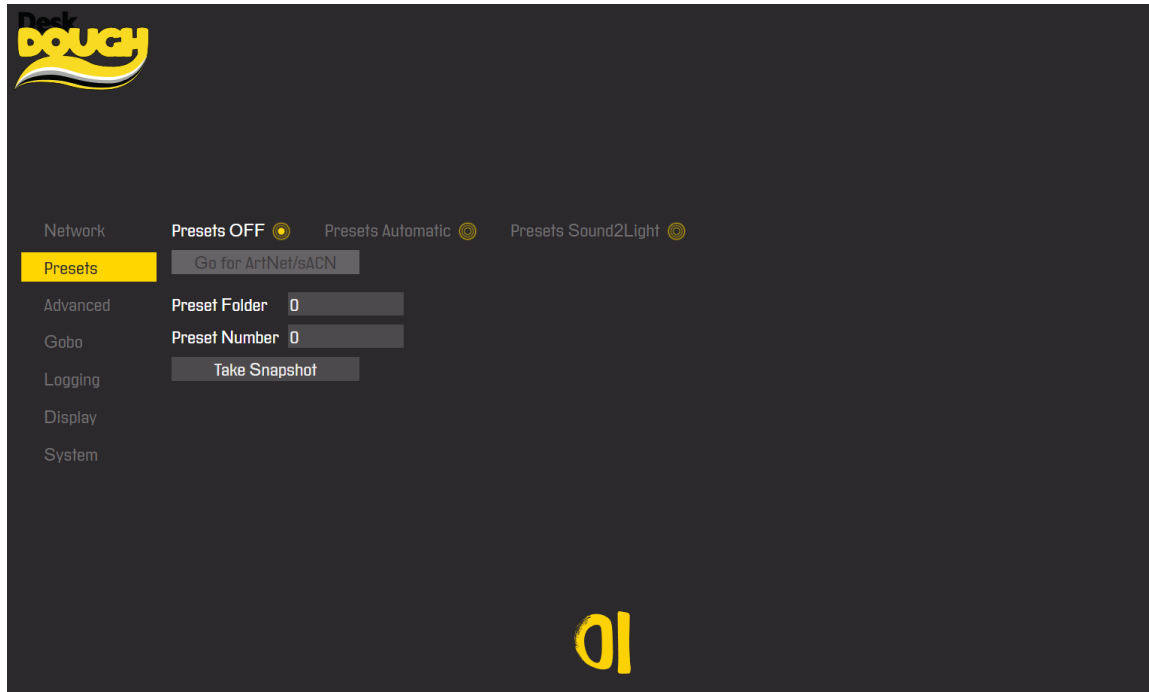


2 Presets

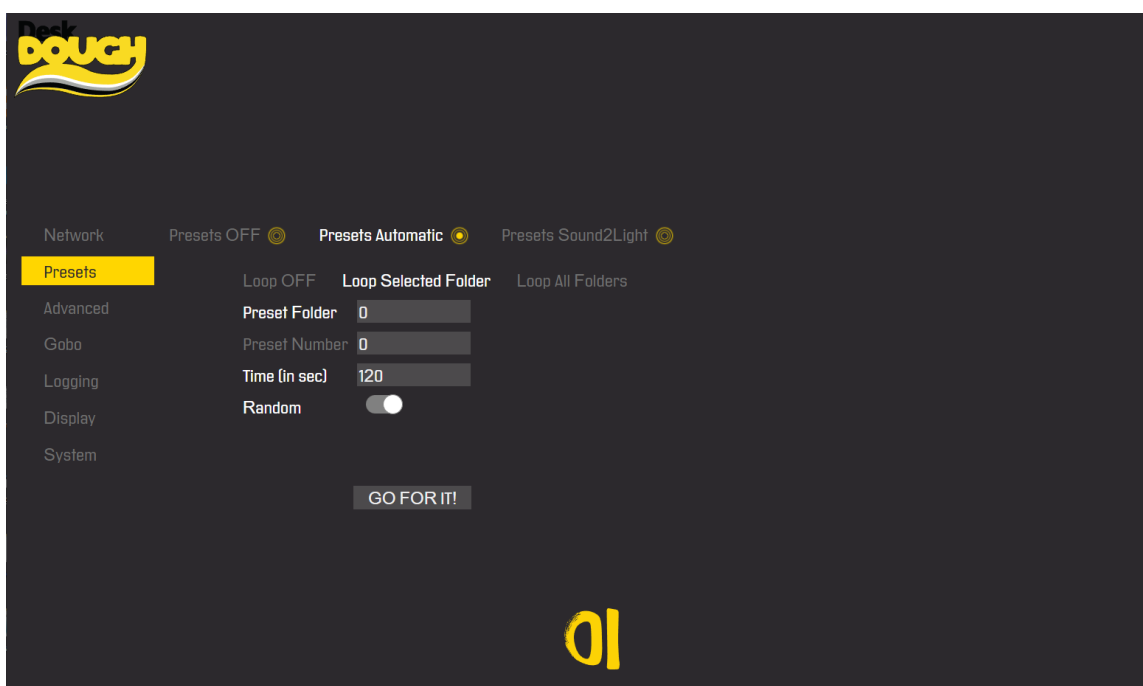
The DDB comes with some preprogrammed beautiful beam presets.

You can playback these presets without any connected lighting desk either standalone or with a sound input and changing parameters according to the sound played back.

- Having the network-input enabled you can take a snapshot of the current values coming from your lighting desk.



- Preselect a folder (0–9 is possible) and a slot (0–255) and with „Take Snapshot“ you have stored your snapshot in the desired slot. You can overwrite a preset by selecting a slot with an existing preset.
- Note: It is not possible to save changing values (e.g. changing values coming from an effects engine of a lighting desk).
- To playback presets or the presets that you saved via the „Take snapshot“– Button without any lighting desk connected select a Loop–Option and click „Go for it!“



3 Advanced

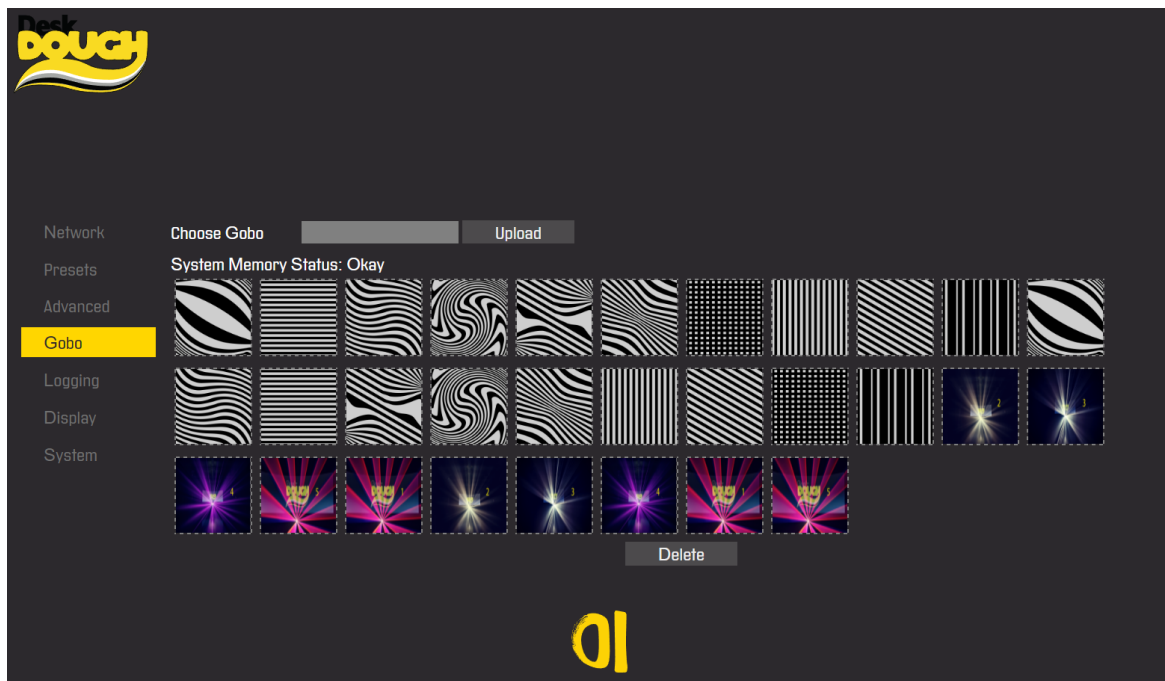
- Choose how the Desk Dough will damp the selected parameters.



- The (user mode)–values will be stored with „Go for it!“. Even if you switch back to the default damping settings and make them active with „Go for it!“ the adjusted (user mode)–values can be re–called with „Go for it!“.

4 Custom Gobo

- For uploading a custom gobo click in the grey field and choose one or more images on your system. In the Explorer on your System confirm with clicking „open“. Then click „upload“ within the webinterface.



- The previews give an overview about the available Custom Gobos that were uploaded.
- Select one or more previews and click „delete“ to delete the Gobos from the system.

5 Display

- You can change the resolution of every connected Output and also the Refresh Rate and network protocol settings.
- With the button “Go for it!” you can apply the settings
- If you want to create a mosaic, load an EDID or sync the outputs you can do this within the nvidia control panel (see next chapter “EDID management”).



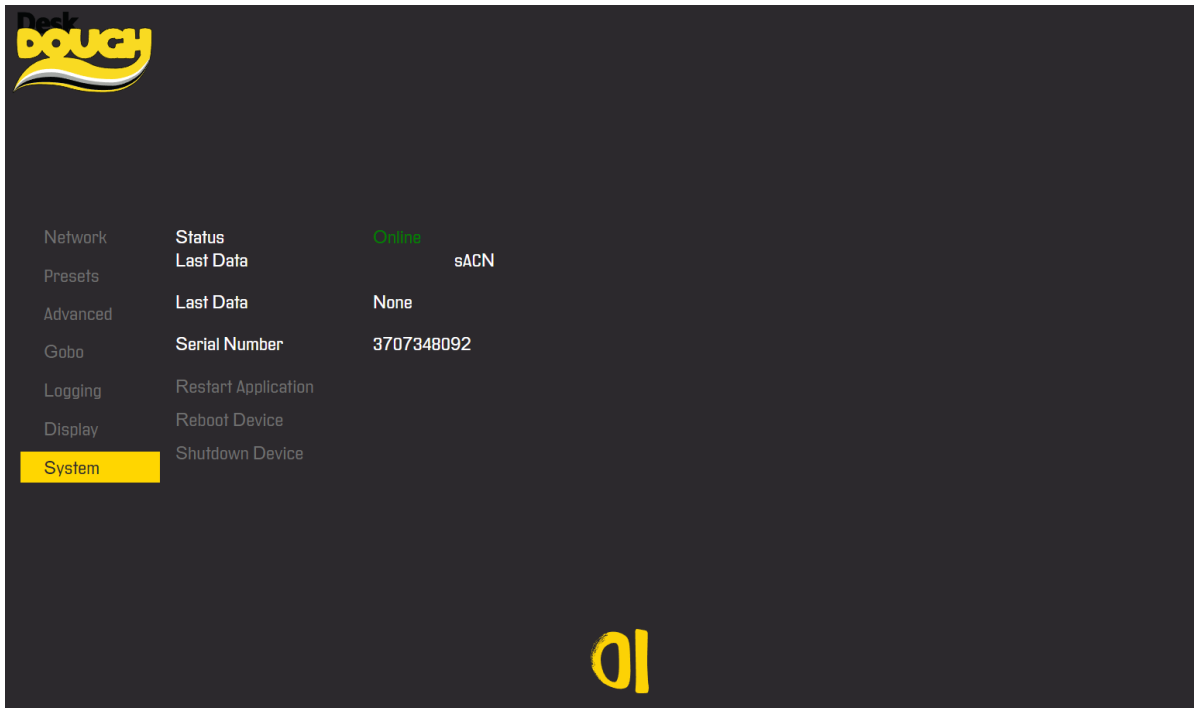
The screenshot shows the Desk Dough web interface with the 'Display Settings' section active. A table lists various display configurations with columns for Display#, Width, Height, RefreshRate, Channel, sACN Universe, Universe, ArtNet Net, and SubNet. The 'Display' menu item is highlighted in yellow. Below the table is a 'GO FOR IT!' button. A large yellow '01' is overlaid at the bottom of the interface.

Presets	Display#	Width	Height	RefreshRate	Channel	sACN Universe	Universe	ArtNet Net	SubNet
Advanced	0	1920	1080	59	23	1	0	1	0
Gobo	4	640	480	60	1	2	1	1	0
Logging	5	1920	1080	60	1	3	2	1	0
	6	640	480	60	1	4	3	1	0
Display	7	1920	1080	60	250	5	4	1	0
	1	1920	1080	59	1	6	5	1	0
System	2	1920	1080	59	1	7	6	1	0
	3	1920	1080	59	1	8	7	1	0

- Please note that only recommended resolutions can be applied. If you use a special resolution that is not recommended for the projector, the system will jump back to the previous settings

6 System

- you get an overview if your Desk Dough Machine is happy and running
- by clicking the options restart/reboot/shutdown you have to confirm the selection



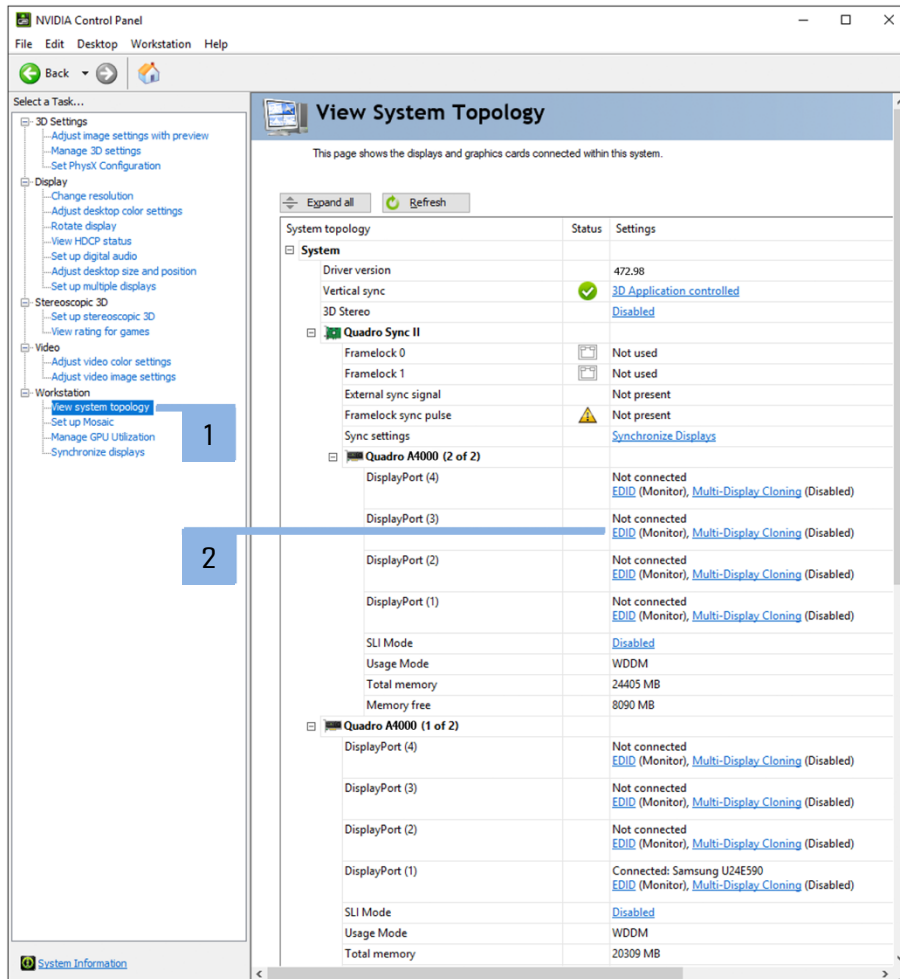
The screenshot shows the Desk Dough web interface with the 'System' section active. It displays the machine's status as 'Online' and provides options for 'Restart Application', 'Reboot Device', and 'Shutdown Device'. A large yellow '01' is overlaid at the bottom of the interface.

Network	Status	Online
Presets	Last Data	sACN
Advanced	Last Data	None
Gobo	Serial Number	3707348092
Logging	Restart Application	
Display	Reboot Device	
System	Shutdown Device	

EDID Management

The EDID management can be set in the Nvidia Control Panel. To open the Nvidia Control Panel, right-click on the desktop and select Nvidia Control Panel.

To open the EDID Settings open "View system topology" [1]. Then select "EDID" [2] at the corresponding graphics card port to export, load or unload EDIDs.

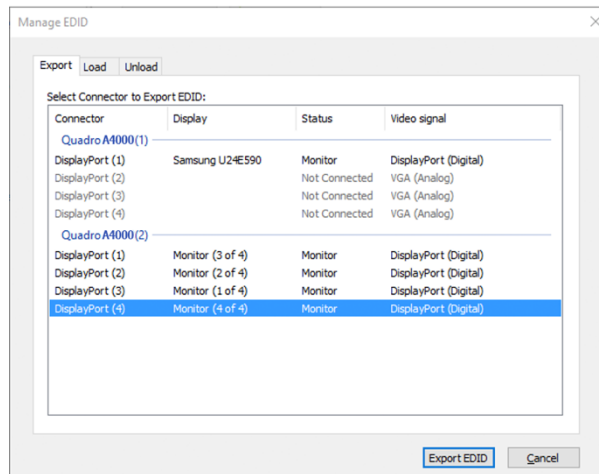


In the System Topology you can also see at a glance whether an EDID is loaded or not. If the word "Monitor" appears next to the menu item "EDID" [2], no EDID is loaded. If the word "File" appears, an EDID file is loaded.

A selection of the common display resolutions and refresh rates can be found as an EDID file in the following directory: C:\StopsMops\EDIDs\. These EDIDs are VESA compliant and should work for most displays and projectors.

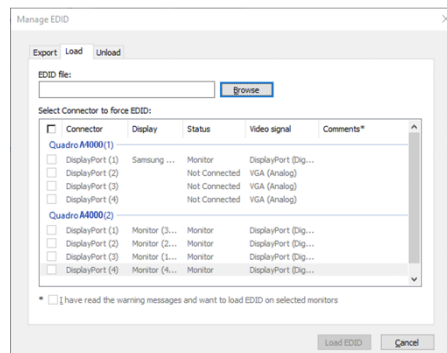
Export EDID to File

To export an EDID file, open the tab "Export", select the corresponding display and click on "Export EDID". The resulting file can then be loaded into any graphics card output.



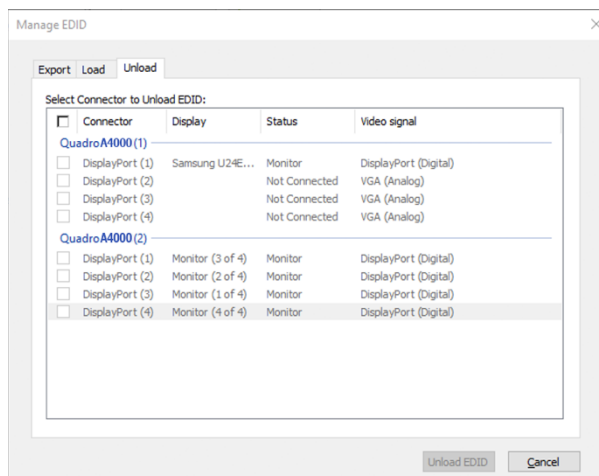
Load EDID from File

To load an EDID, the tab "Load EDID" must be opened, the corresponding EDID file must be selected and the graphic card outputs into which the corresponding EDID is to be loaded must be selected. Then the EDID can be loaded via "Load EDID".



Unload EDID

To unload an EDID file the tab "Unload EDID" must be opened, the graphic card outputs to be unloaded must be selected and clicked on "Unload EDID"



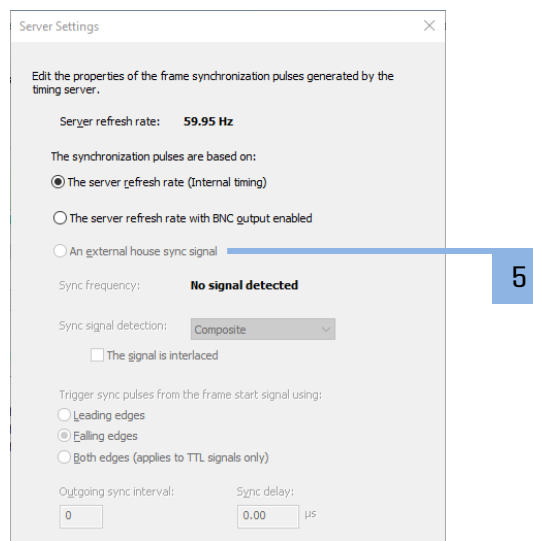
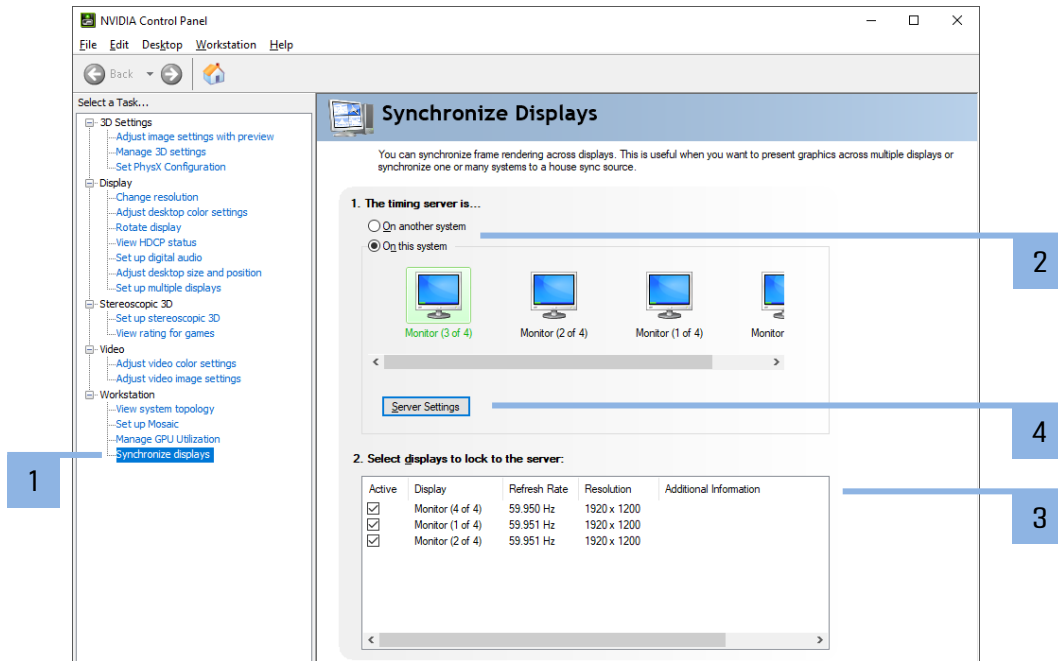
Genlock and Framelock Setup

To synchronize graphic card outputs, the Framelock and Genlock Option must be installed in the DDM. If installed, the menu item "Synchronize displays" is visible in the Nvidia Control Panel. To synchronize the displays the menu item "Synchronize displays" [1] must be selected. The system on which the time DDM is running can be selected here. Depending whether the DDM is the sync master or a sync client, either "On this system" or "On another system" must be selected [2]. Please make sure that the same resolutions and identical refresh rates only can be synchronized.

- In case of a sync client select "On another system" [2]. The sync boards of the DDMs must be connected with a CAT cable and the displays to be synchronized must be selected [3].
- In case of a sync master select "On this system" [2] The first display to be synchronized is selected and further displays can be added to the sync group [3]. The sync timing corresponds to the refresh rate of the first display.

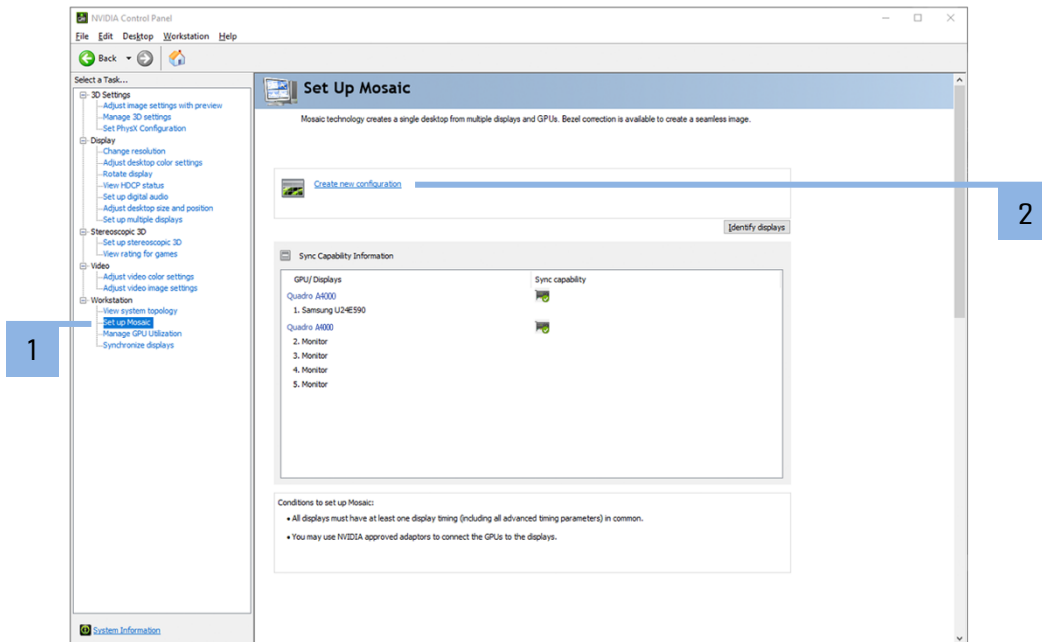
In case you synchronize to an external genlock signal select "DDM Settings" [4] and choose "An external house sync signal" [5]. Adjust the following settings to fit your application.

These settings must be set on the master machine and on each client machine.



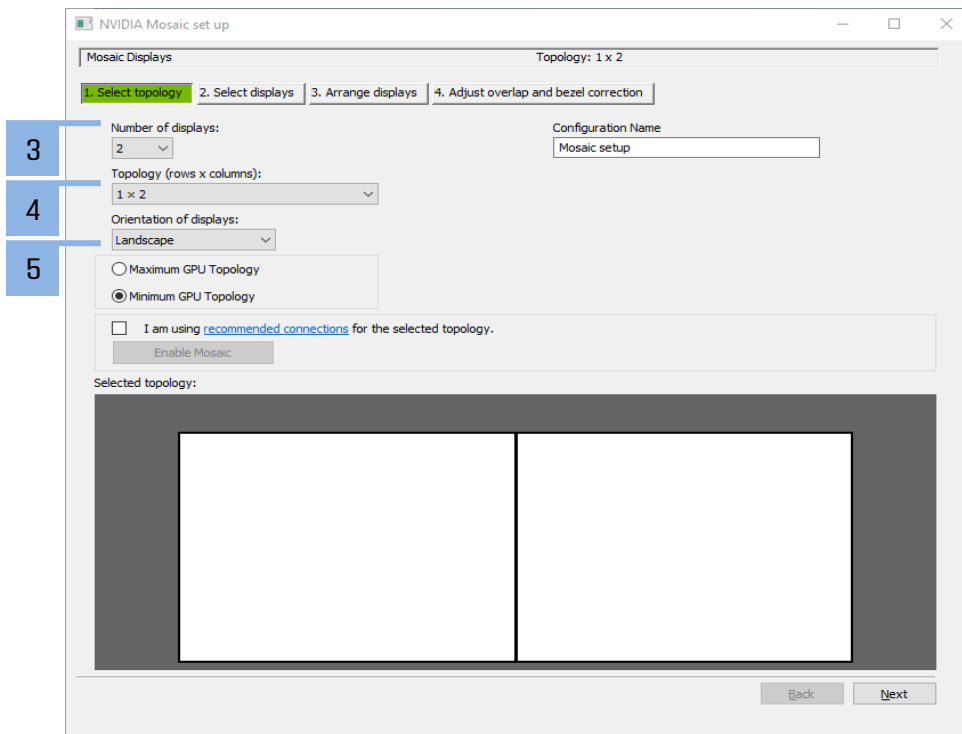
Mosaic Setup

Mosaic creates a single desktop from multiple displays and GPUs. To activate this mode, select the menu item "Set up Mosaic" [1]. Click on "Create new configuration" [2] to start the setup wizard.



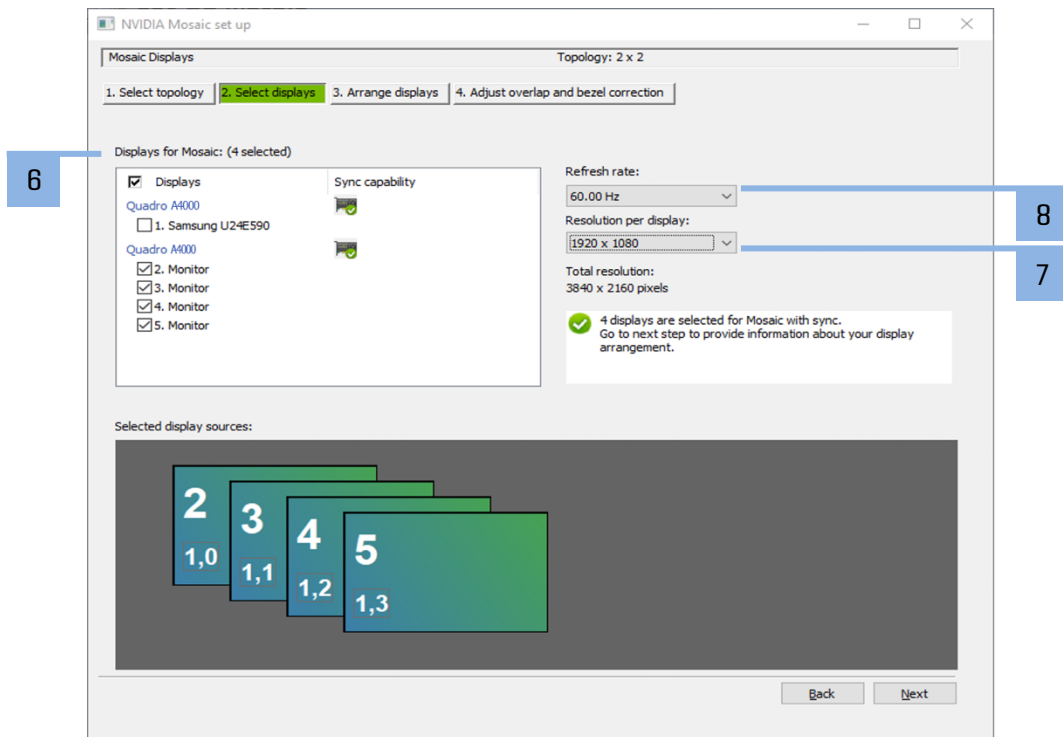
Select Topology

Define the number of displays [3], the number of rows and columns [4] and the orientation of the displays [5]. Click "Next".



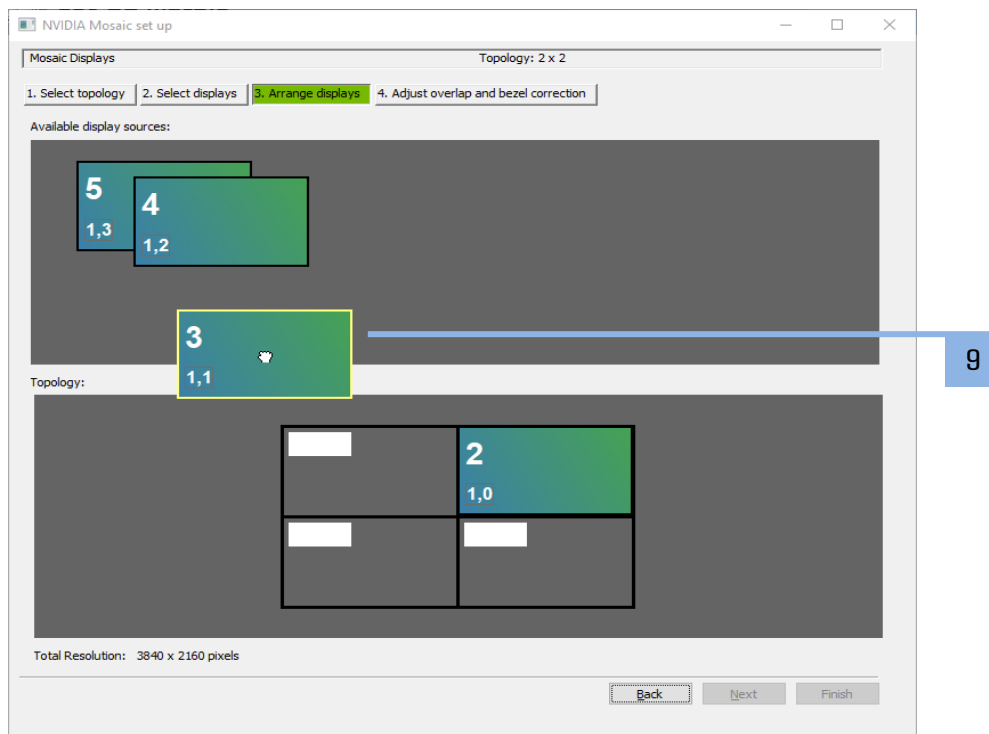
Select Displays

Select the displays to be used [6], the resolution [7] and the refresh rate [8] of each display. Click "Next".



Arrange Displays

The single displays must be arranged to the combined mosaic display. The corresponding numbers are shown on the real displays and should be arranged according to your setup. By simply dragging and dropping [9] the display areas can be placed. After placing all displays, click on "Apply" button, which will appear. This may take some time, please do not stop this process.



CLI programs to change screen resolution, setup mosaic and set sync

CLI programs are installed on a Desk Dough® Machine to change the screen resolutions, set up a mosaic or synchronize the outputs. These programs are installed on the system and can be used in the Power Shell or Command Prompt.

The following examples show how to do this:

ChangeScreenResolution.exe

Example:

```
ChangeScreenResolution.exe /w=3840 /h=2160 /f=60 /b=32 /d=0
```

/w Screen width in pixels
/h Screen height in pixels
/f Screen repetition rate in Hz
/b Colour depth
/d Target display

configureMosaic.exe

Example:

```
configureMosaic.exe set rows=1 cols=1 res=3840,2160,60 out=0,0 nextgrid rows=2 cols=4 res=4096,2160,60  
out=1,0 out=1,1 out=2,0 out=2,1 out=1,2 out=1,3 out=2,2 out=2,3
```

set row / cols Number of displays horizontal and vertical

(the first display in the example above is the GUI Monitor which is created as a single display).

res Resolution in pixels for each display in this group.

out Target display (0,0 means that it is the first output on the first card in the system).

nextgrid command to set up another Mosaic.

Sync.ps1

Example:

```
powershell.exe .\sync.ps1
```

With this script the sync can be activated or deactivated. It is toggled.

Backup

We recommend creating an image of the OS to be able to restore the system in the event of an error.

Making Updates

For updating the Desk Dough® application use the dedicated “[...]install.exe or “[...]update.exe” by Stops & Mops.

IMPORTANT! The media DDM runs on an operating system optimized for performance and stability. Any changes to the system can have a negative effect on performance and stability. It is therefore not recommended to install any kind of updates on the media DDM. If an installation or any other manipulation is nevertheless carried out, it is no longer possible to guarantee a faultless function. Any changes to the system will also void the warranty. Exceptions are installations that have been approved by Stops & Mops.

Updating the Operating System

The Windows Update service is disabled to prevent an update from being performed during a show and to keep the operating system in a stable and tested state.

If you still need to install Windows Updates for security reasons, you must first enable the Windows Update service in the Settings Manager. Only then a Windows Update can be made.

IMPORTANT! The Windows Update service must be deactivated in Settings Manager after the update process is complete to avoid interfering with subsequent playbacks.

IMPORTANT! Please note the above information regarding system instability and warranty loss!

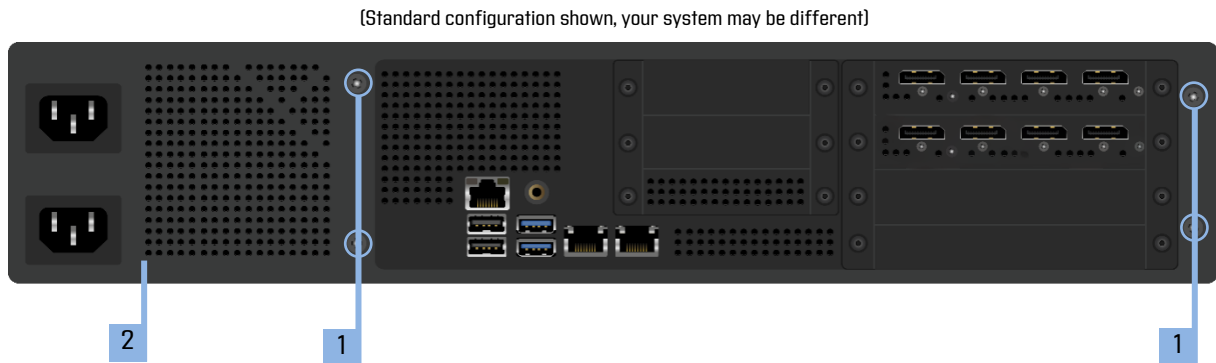
Servicing

Removing the DDMs back panel for servicing purposes

The rear panel protects the redundant power supplies and the SSDs from damage and accidental removal. To replace the redundant power supplies and the SSDs during service, the back panel must be removed.

IMPORTANT! Servicing activities on the DDM may only be carried out in consultation with Stops & Mops GmbH. Unauthorized servicing activities will void the warranty.

IMPORTANT! Switch off the DDM and disconnect it from the power supply!



1. Remove the 4 screws
2. Remove the back panel

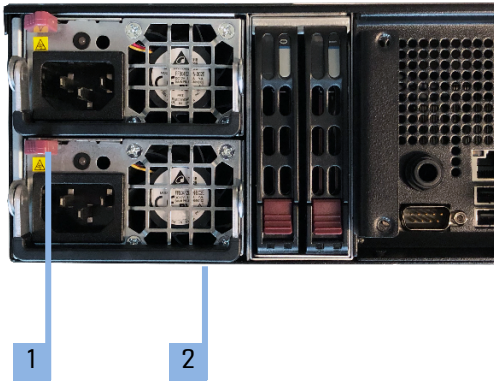
Now you have access to the power supply modules and the SSDs. Replacing the power supplies and the SSDs see the following points.

IMPORTANT! After completion of the servicing activities, the back side must be re-attached to the DDM! Operating the DDM without back panel will void the warranty.

Replacing the power supply

The DDM has a redundant power supply. They automatically sense and operate at a 100V to 240V input voltage and are auto switching. One power supply can be replaced without powering down the system.

A yellow lamp on the power supply unit illuminates when the unit is switched off. A green light indicates that the power is on.



1. Push the release tab on the back of the power supply.
2. Pull the power supply out using the handle provided.
3. Replace the failed power module with a new unit. The new power supply module must be identical with the replaced one. Power supply modules must be ordered at Stops & Mops.
4. Push the new power supply module into the power bay until you hear a click.
5. Plug the AC power cord back into the module.

IMPORTANT! Please be aware that removing these parts without proper ESD protection can be dangerous and can destroy the parts and the media DDM!

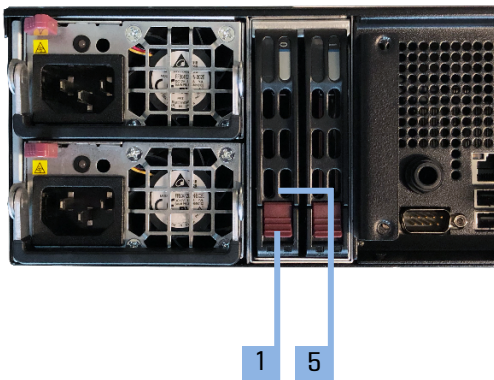
Replacing the SSDs

- Systems shipped after 2022-10:
DDM has an internal SSD for the operating system.

IMPORTANT! The exchange of the SSDs may only be carried out in consultation with Stops & Mops GmbH!
Unauthorized replacement of the SSDs will void the warranty.

IMPORTANT! Switch off the DDM and disconnect it from the power supply!

After exchanging the SSDs, all data is lost. No data is stored redundantly. If you have exchanged the OS-SSDs, you must request a corresponding image of the operating system from Stops & Mops. If you have exchanged the data SSD, you must reinstall the data.



1. Press the red button to release the SSD.
2. Pull out the SSD carefully.
3. Replace the SSD in the carrier with exactly the same model.
4. Slide the SSD back in.
5. Lock the SSD again.

IMPORTANT! Please be aware that removing these parts without proper ESD protection can be dangerous and can destroy the parts and the media DDM!

Stops & Mops contact

If you encounter any problems using our products, please contact our Support. If you have any questions or would like to make any suggestions, you can reach us on the phone from Monday to Thursday from 9.00am to 5.00pm and on Fridays from 9.00am to 2.00pm (UTC+1).

Please bear in mind that we may not be able to answer your call immediately. In order to ensure that we can return your call as soon as possible and offer best-possible support we are asking you to leave a message with your

- Company name
- Name
- Telephone number
- Dongle or customer number

on the answering machine and we will call you back.

Imprint

Stops & Mops GmbH

Mitterweg 46

A-4702 Wallern

Tel.: +43 720 578777

support@stopsmops.com

www.stopsmops.com

Declaration of Conformity



Manufacturer:

Stops & Mops GmbH
Mitterweg 46, 4702 Wallern, Austria
Tel.: +43 (720) 578 777
info@stopsmops.com
www.stopsmops.com

Products:

- Desk Dough® Machine

We hereby declare that the Desk Dough® Machine described above complies with all relevant regulations. It meets the requirements of the following guidelines and standards.

Applied Guidelines:

- Low Voltage Directive 2014/35/EU
- Electromagnetic Compatibility Directive 2014/30/EU
- Restriction of Hazardous Substances Directive 2011/65/EU
- Energy Related Products Directive 2009/125/EC.

Applied harmonized Standards:

Low Voltage Directive:

- EN 60950-1:2006 + A11:2009 + A1:2010 + A12:2011 + AC:2011 + A2:2013
Information technology equipment – Safety – Part 1: General requirements

Electromagnetic Compatibility Directive:

- EN 55032:2016-02
Electromagnetic compatibility of multimedia devices and equipment – Emission requirements
- EN 55024:2010
Information technology equipment Immunity characteristics – Limits and methods of measurement

Restriction of Hazardous Substances Directive:

- EN 50581:2012
Technical documentation for the assessment of electrical and electronic products with respect to the restriction of hazardous substances

Wallern, 2022-10-01

Tobias Stumpfl, CEO

Version History

Date	Document Version	Hardware Version	Changes
2020-10-01	V1.0		First release